



**HANDICARE
FREECURVE**
Catalogue Product



I love how my Handicare Freecurve was Custom built just for my home; my dealer provided so many options to personalize it just for me. Traveling up and down my staircase has never been easier with my new chairlift.

Features

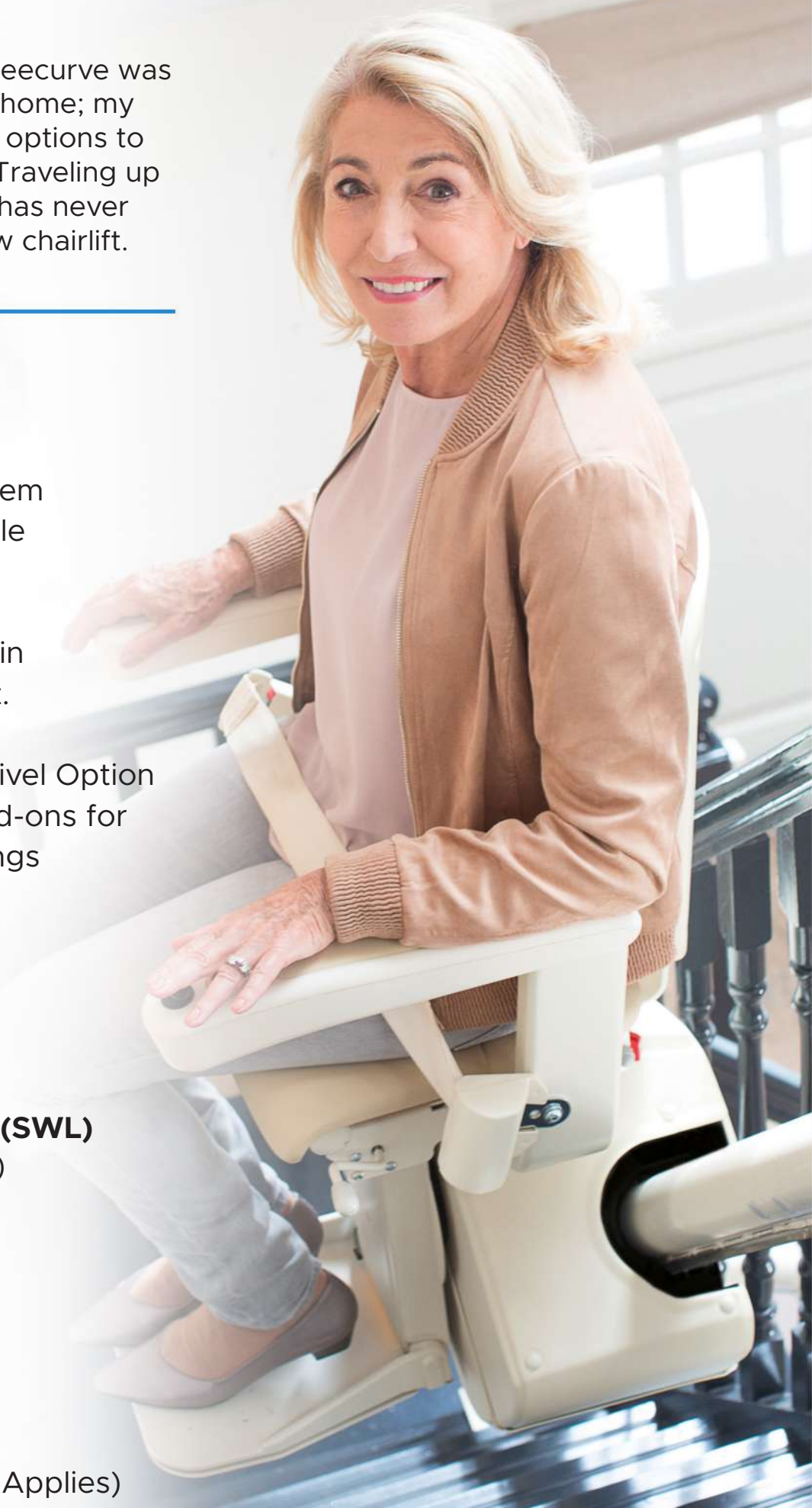
- Single Tube Rail System
- Compact and Foldable
- Multiple Rail Color &
- Seat Options
- Easy to use & Maintain
- Available Active Seat.
- Powered Footrest
- Turn & Go & Seat Swivel Option
- Obstruction Free Add-ons for
- Top & Bottom Landings



Safe Working Load (SWL)
275 lb (125 kg)



Warranty
2 Years
(Terms and Condition Applies)



Regain your **independence** and conquer the **struggles** of staircase

Orkanda offers a chairlift solution that gives you freedom of movement throughout your home, allowing you to age on the spot without the hassles of everyday life. The compact and adjustable hanging chair can be installed anywhere. We have dozens of satisfied customers with our large selection of chairlifts.

Regain your **independence** and conquer the **struggles** of staircase

Handicare Freecurve features a revolutionary design that takes up less space on stairs with special features that provide unlimited options. The spiral, narrow and steep staircase presents no challenge to the Freecurve thanks to its single tube rail, which is designed to fit into any home with a circular staircase.

Easy to maintain with a quiet and smooth ride that provides ultimate safety and comfort. The Freecurve is available in unique and elegant designs in a wide selection of chair and rail colors to match your home décor and personal taste.



Features

Compact

The Orka Free Curve folds easily to maximize space for family members to climb up and down stairs as needed when not in use.



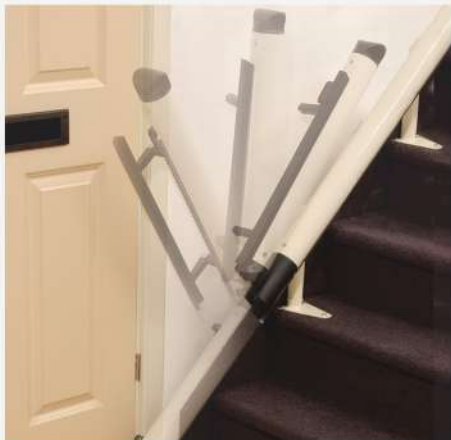
Easy to Use

Ergonomic and intuitive to use, the joystick on the palm rest operates the Freecurve smoothly.



Adaptable

Combine your chairlift with a powered hinge or drop nose option to prevent tracks from blocking the door at the base of the stairs.



Multiple Charge Points

Charging points are conveniently located at the top and bottom of the ladder for painless recharging.



Turn & Go

Narrow stairs are not a problem for freecurves, the optional Turn & Go feature automatically rotates your seat forward while driving. A convenient solution that allows more space for users in tight environments.



Active Seat

The optional active seat option makes sitting or getting up from your Freecurve even easier. With just a pull of the lever, your movement is supported to maintain tension in your joints and muscles. (Available with Alliance and Elegance seats).



Safety First

An optional powered footrest lets you fold and unfold the footrest without bending over, LED lighting improves visibility in low-light areas (standard with powered footrests) and a non-slip texture provides better grip on the foot when sitting up and going.



Automatic Swivel

Optional powered swivel makes it easy to get off the lift at the top of the landing, simply hold down the toggle switch in the landing direction to rotate the seat for a controlled departure. With an 80 degree tilt, you face more top landings which provide greater safety when getting up from your Orka Freecurve. (Manual turning standard).



Seat Types



Classic Seat

The Classic Chair is very comfortable and designed with the input of the therapist. Corner seats with faux leather upholstery that offer a timeless ergonomic design.

Options

Powered Swivel
Powered Footrest with LED Illumination
Turn and Go
Active Seat
Body Harness
Child Seat



Alliance Seat

The Alliance Chair has a refined appearance making it a welcome addition to any interior. The two-tone combination of wood and faux leather upholstery makes this chair really stand out.

Options

Powered Swivel
Powered Footrest with LED Illumination
Turn and Go
Active Seat
Body Harness
Child Seat



Elegance Seat

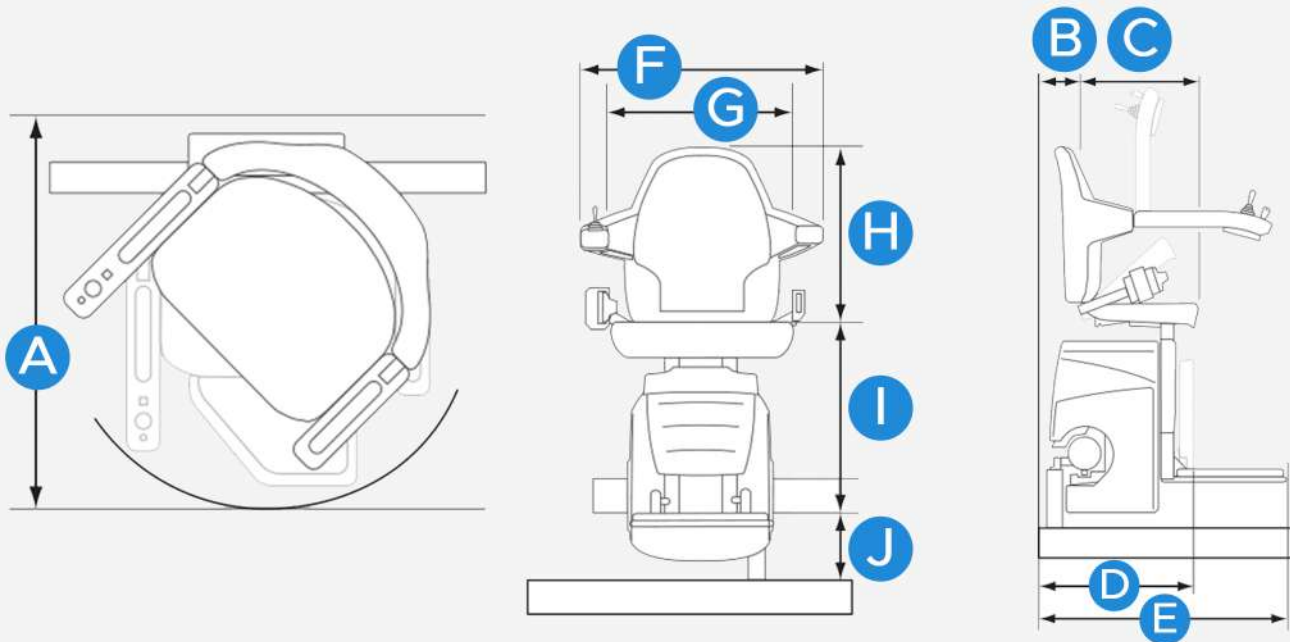
Kursi Elegance memadukan desain mewah dengan kenyamanan tertinggi, berkat pelapis kulit imitasi super lembut. Kursi terlihat dan terasa gaya dengan nuansa elegan. Sandaran tangan juga dapat disesuaikan ke

Options

Powered Swivel
Powered Footrest with LED Illumination
Turn and Go
Active Seat
Body Harness
Child Seat



Specification



Freecurve Style Seat Dimensions

Safe Working Load (SWL)

45-70°: 275 lb (125 kg)

Speed

0.35 ft / sec (0.10 m / sec)

Some of the dimensions depend on the characteristics of the staircase in the home. Handicare reserves the right to alter designs and specifications without prior notice.

A	Swivel radius	28.4–29.5 in (721–749 mm)
B	Wall to inner seat back	4.1–5.1 in (105–130 mm)
C	Seat depth	14.5–15 in (368–381 mm)
D	Folded width to footrest, minimum	16.5–17.4 in (419 mm)
E	Open width to edge of footrest, minimum Offset footrest	25.1–26 in (638–660 mm) 24–24.8 in (607–629 mm)
F	Armrest width, external	22.1–23.5 in (562–597 mm)
G	Armrest width, internal	17.1–18.3 in (435–464 mm)
H	Seat back height	15.5–16.4 in (394–416 mm)
I	Footrest to seat height	18.6–19.5 in (473–495 mm)
J	Footrest height, minimum	3.9–4.9 in (98–124 mm)
K	Track intrusion into staircase, minimum	6.8–7.5 in (171–191 mm)
L	Weight limit, maximum	275 lb (125 kg)

*Dimensions vary based on seat style selected and may vary depending on hand of seat.

**Seat depicted in specification drawings is our Classic Seat.



KINTICS

www.kintics.com

Jakarta

JL. H.R. RASUNA SAID KAV. C-22, LT. 2
RUANG 210 RT. 002 RW. 005, KARET
KUNINGAN, SETIABUDI, KOTA ADM.
JAKARTA SELATAN, DKI JAKARTA